

# 14-slot PCIe Gen 2 Backplane

14-slot PCI Express-based backplane with an ELB (expansion link board) slot and 13 PCI Express I/O slots.

PN: OSS-PCIe-BP-2045

## Features

- Expansion link board slot with A-B connectors
- 6 PCIe x4 slots with x16 connectors
- 7 PCIe x8 slot with x16 connector
- Two ATX power connectors

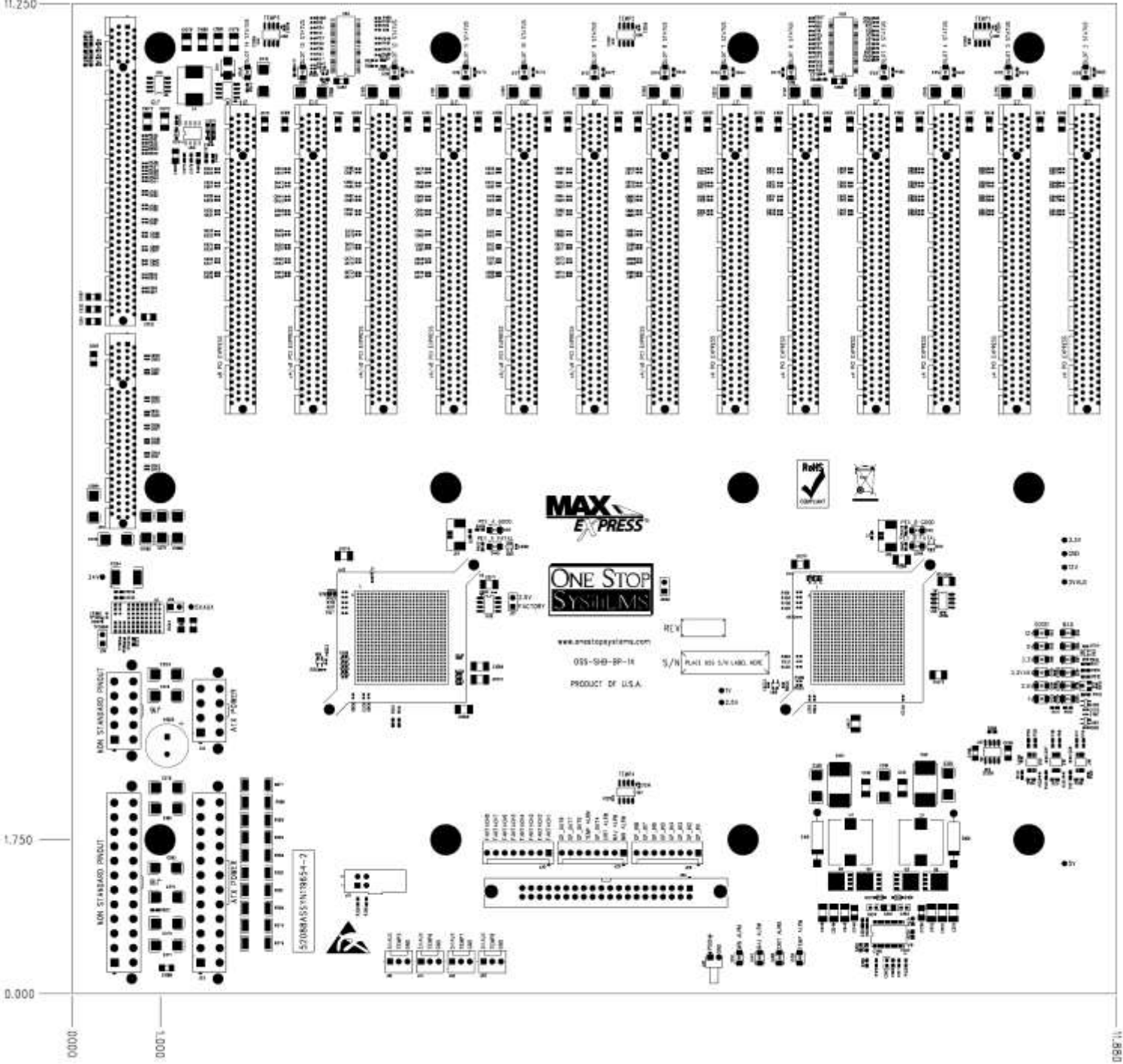


## Specifications

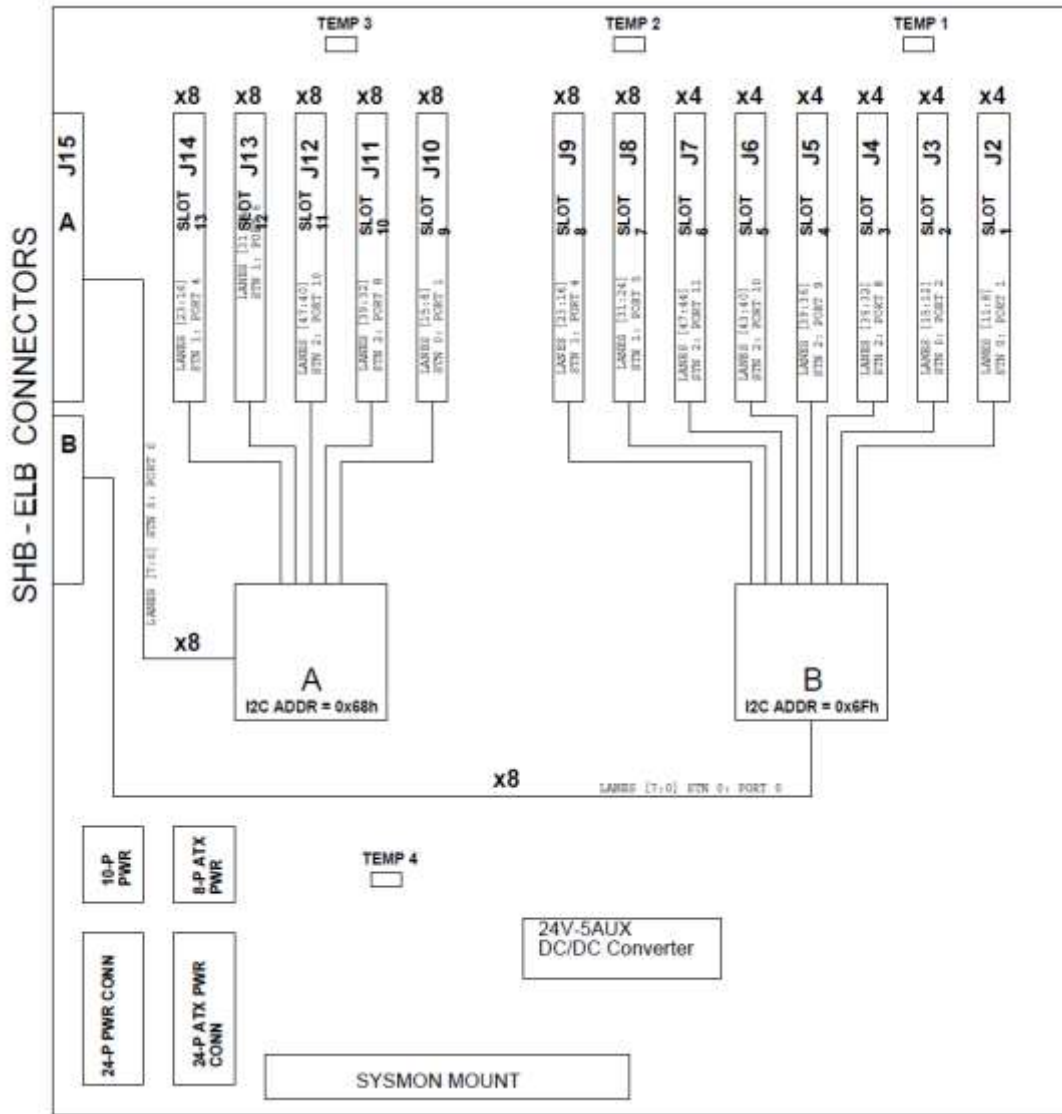
<b>14-Slot Configuration:</b>	Expansion link board (ELB) slot 6 PCI Express x4 slots (with x16 connectors) 7 PCI Express x8 slots (with x16 connectors)
<b>Backplane Power Connections:</b>	ATX 24-pin connectors One +12V connectors provide additional power to the backplane for those system host boards utilizing high performance microprocessors.
<b>Mounting Hole Pattern:</b>	Standard PICMG 1.3 15-slot backplane hole pattern
<b>Power Indicators:</b>	The power indicators provide a convenient visual check for +5V, -5V, +12V, -12V and +3.3V power connections.
<b>System Monitor Interface:</b>	Monitors up to 8 temp sensors Monitors up to 8 fan tachometers Monitors up to 3 voltages including standard +12V, +5V, +3.3
<b>Temperature Range:</b>	Operating temp 0° to 50°C (32° to 122°F) ambient. Short-term (30 mins) operating temp -5°C to 55°C ambient. Storage Temp -40°C to 70°C
<b>Relative Humidity:</b>	10-90% @ 40°C (non-condensing) Non-operating humidity 0-95% @ 40°C (non-condensing)
<b>Shock:</b>	20g @ 11 msec
<b>Vibration:</b>	5-17 Hz 0.5" double amplitude displacement; 7-2000Hz, 1.5g acceleration.
<b>MTBF:</b>	Minimum of 75,000 hours

## Dimensional Drawing

11.250



## Block Diagram



## Connector Pin-Outs

Connector	Definition
J19, J21, J22, J23	Temp Sensors
J28, J29	Sysmon Alarm
J30	Sysmon Fan Tach
J31	I2C Interface
J32	Force Power On
J33, J34	Input Power

J19, J21, J22, J23 – Temp Sensors (Molex P/N: 22-23-2031)

Pin	Definition
1	VDD_5VAUX
2	TEMP5, TEMP6, TEMP7, TEMP8
3	GND

J31 – I2C Interface Connector (3M P/N; 929710-10-02-RK)

Pin	Definition	Pin	Definition
1	SMCLK	2	GND
3	SMDAT	4	NC

J28 – Sysmon Alarm (Molex P/N: 22-23-2081)

Pin	Definition
1	GP_IN1
2	GP_IN2
3	GP_IN3
4	GP_IN4
5	GP_IN5
6	GP_IN6
7	GP_IN7
8	GP_IN8

J34 – Input Power (Molex P/N: 44206-0003)

Pin	Definition	Pin	Definition
1	GND	5	+12V
2	GND	6	+12V
3	GND	7	+12V
4	GND	8	+12V

J29 –Sysmon Alarm (Molex P/N: 22-23-2081)

Pin	Definition
1	MINOR_ALARM
2	MAJOR_ALARM
3	CRITICAL_ALARM#
4	GP_OUT4
5	TEMP_ALARM#
6	GP_OUT6
7	GP_OUT7
8	GP_OUT8

J30 –Sysmon Fan Tach (Molex P/N: 22-23-2081)

Pin	Definition
1	FANTACH1
2	FANTACH2
3	FANTACH3
4	FANTACH4
5	FANTACH5
6	FANTACH6
7	FANTACH7
8	FANTACH8

J32 – Force Power On (Molex P/N: 22-05-3021)

Pin	Definition
1	PWR_ON#
2	GND

J33 – 24 Pin ATX Input Power (Molex P/N: 44206-0001)

Pin	Definition	Pin	Definition
1	+3.3V	13	+3.3V
2	+3.3V	14	-12V
3	GND	15	GND
4	+5V	16	PS_ON#
5	GND	17	GND
6	+5V	18	GND
7	GND	19	GND
8	PWRON	20	NC
9	+5VSB	21	+5V
10	+12V1	22	+5V
11	+12V1	23	+5V
12	+3.3V	24	GND